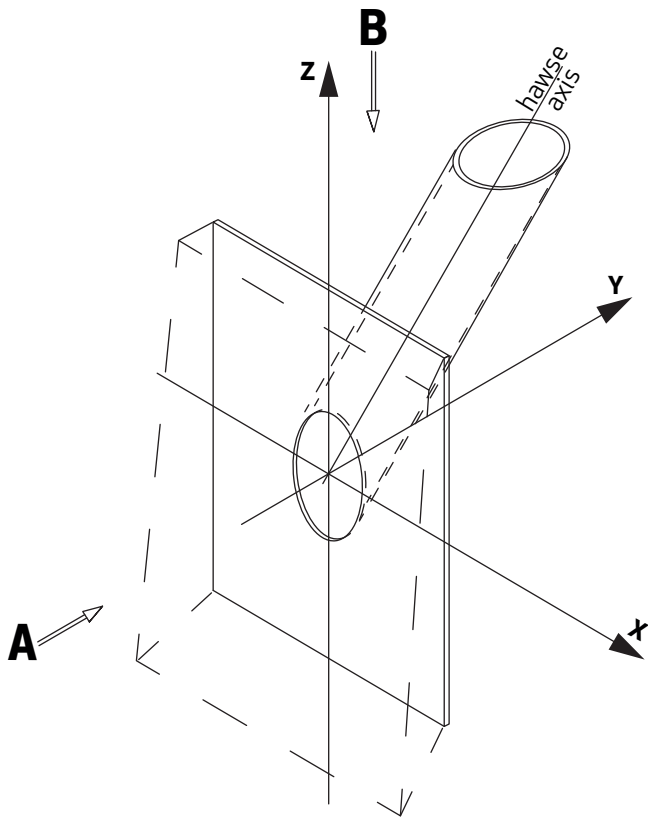


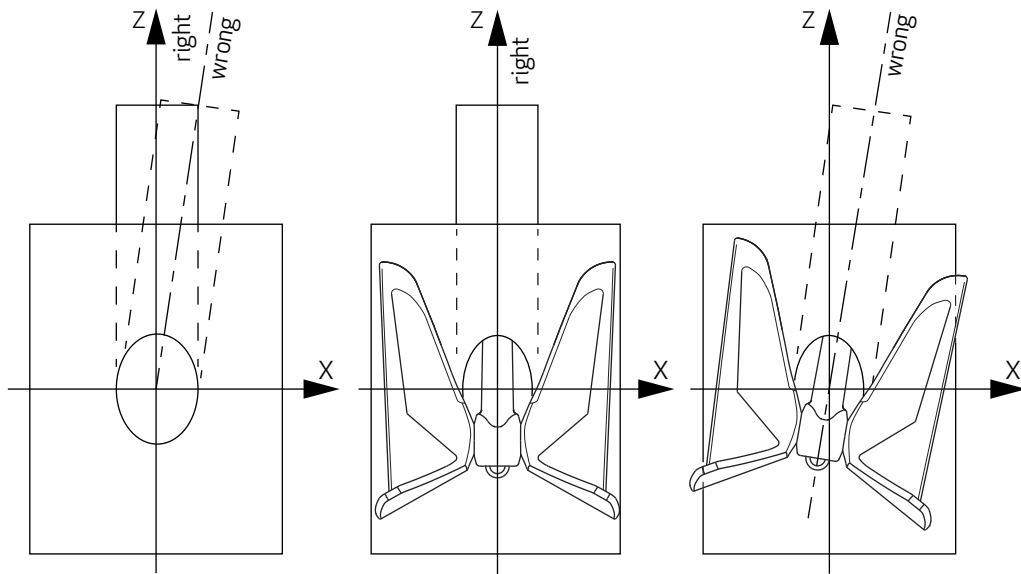
Common Issues with Side Pocket Installation



Misalignment between the hawse pipe and pocket plate is a common issue. Both must align on the same axis to ensure smooth anchor operation and proper stowage (see images below).

The solution is to use a smaller anchor. With the ULTRA Side Pocket Anchor, this can be achieved by selecting a smaller Standard model filled with extra lead to reach the required weight, or by choosing the Compact version.

View A:



View B:

