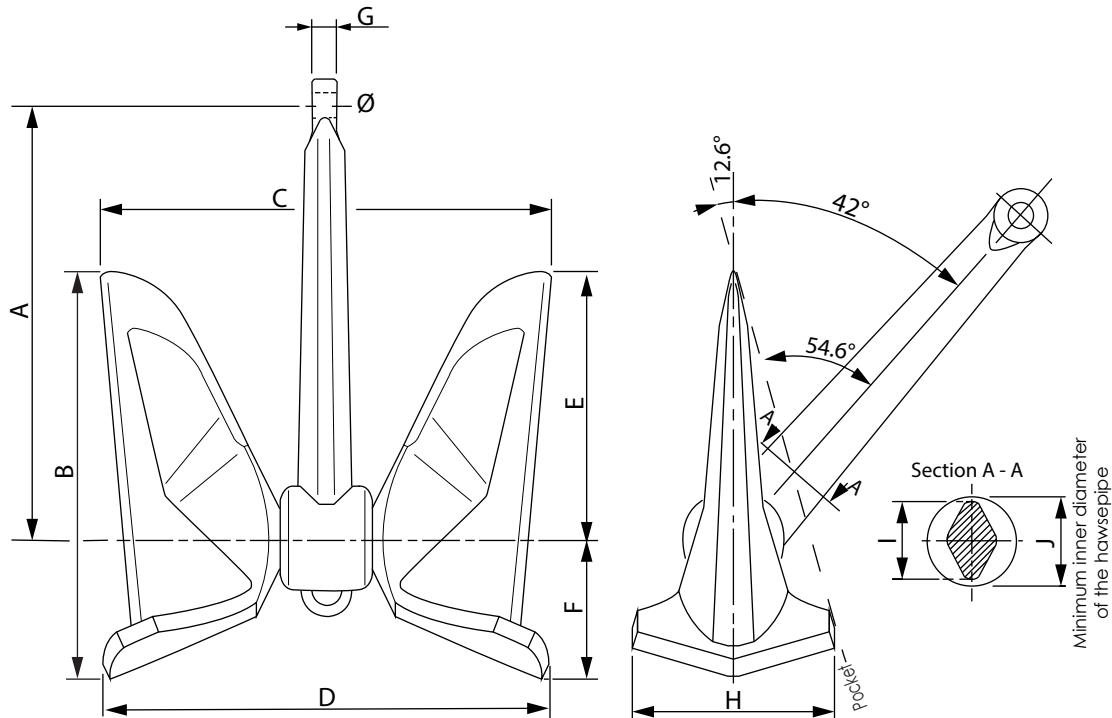


ULTRA Side Pocket Anchor Compact (USAC)

- If choosing the anchor for a new boat, we recommend deciding according to the Equipment Number (EN) requested by the certification body.
- For an approximate sizing, check the "Ultra Anchor Selection Table"



Anchor Code		Anchor Measurements										
Ultra Side Pocket Anchor Compact	min. Nominal Weight:	A	B	C	D	E	F	G	Ø	H	I	J
	kg/lbs	mm	mm	mm	mm	mm	mm	mm	mm	mm	mm	mm
USAC	21/46	342	328	310	314	217	111	17	20	143	65	70
USAC	27/60	372	343	324	328	227	116	18.2	21	150	68	73
USAC	35/77	405	389	368	372	257	132	19	23	170	71	76
USAC	45/100	441	423	400	404	280	144	20	26	184	84	89
USAC	60/132	485	466	440	445	308	158	22	28	203	92	97
USAC	80/176	534	513	484	490	339	174	24.5	30	223	101	107
USAC	100/220	575	553	522	528	365	187	26.5	32	241	109	115
USAC	130/290	628	603	569	576	399	204	28.6	34	263	119	126
USAC	160/350	673	646	610	617	427	219	32	37	282	128	135
USAC	200/440	724	693	657	665	460	236	35	40	303	137	145
USAC	250/550	780	750	708	716	496	254	38	43	327	148	156
USAC	300/660	829	797	752	761	527	270	40	45	347	157	166
USAC	360/800	881	847	800	809	560	287	43	49	369	167	176
USAC	420/925	928	891	842	851	589	302	45	52	388	176	186
USAC	500/1100	983	945	892	902	624	320	48	54	412	187	197
USAC	600/1320	1045	1004	948	959	664	340	50	60	437	198	209
USAC	720/1585	1110	1067	1007	1019	705	362	55	64	465	211	222
USAC	850/1870	1174	1128	1065	1077	745	382	58	68	491	223	235
USAC	1000/2200	1239	1190	1124	1137	787	404	61	72	519	235	248
USAC	1150/2530	1298	1247	1178	1191	824	423	64	75	543	246	260
USAC	1300/2860	1352	1299	1227	1241	859	440	69	80	566	256	270
USAC	1500/3300	1418	1363	1287	1301	901	462	73	85	594	269	284

- For a smaller but heavier anchor, please refer to the measurement table for the "Ultra Side Pocket Anchor Standard (USAS)"
- We can produce the anchor "Fully Balanced" or "Unbalanced" according to the customer request
- We reserve the right to make changes to this table



Date:
14.05.2025

Prepared by: Pietro Lamberti
Design by: Nejat Övütmen